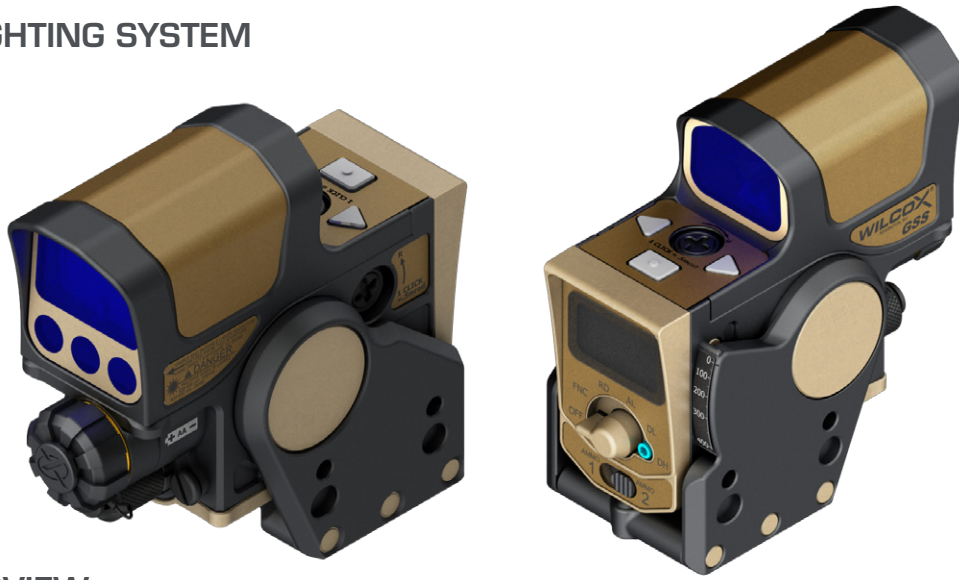


GSS

GRENADIER SIGHTING SYSTEM



PRODUCT OVERVIEW

The Wilcox Grenadier Sighting System (GSS) serves as a replacement for the previously fielded sight to the M320/M320A1 Grenade Launcher Module (GLM). The GSS addresses the capability gap within the forces to effectively engage targets, during day and at night, with the M320/M320A1 GLM. The GSS is designed for mounting to both the M4 carbine/M16 rifle forward rail when the M320 is in the under barrel configuration as well as on the top of the M320 GL when carried in a standalone configuration. The GSS produces dramatic increases in probability of hit both day and night engagements in an extremely compact package.

WEAPON COMPATIBILITY

- M16A4 rifle/M4A1 carbine (under-barrel configuration)
- M320 (standalone configuration)

FEATURES AND BENEFITS

- Red Dot Sight with integral back up Iron Sights
- Near infrared (NIR) Aiming Laser engagement at night
- NIR Illuminator for increased recognition and identification
- Aiming references to correspond to ballistic range
- User selectable ballistic solution for weapon/ammunition
- Quick selector for (2) pre-programmed ballistic solutions
- Sensors (temperature, pressure) for ballistic compensation
- Cant Indicator for increased accuracy when firing
- Sleep mode with auto wake up
- Mounts to MIL-STD-1913 rail without modification
- Includes M320 standalone mount

FORWARD COMPATIBILITY

- Add/store ballistic solutions for current/future ammunition
- Updatable firmware/software
- Interface capability with external devices for data transmission
- 0-45 degree firing angle for compatibility with current/future ammunition

SPECIFICATIONS

Dimensions: 6.61 cm W x 9.63 cm D x 9.22 cm H
(2.60" W x 3.79" D x 3.63" H)
Weight (w/ Battery and Lens Cover): <312 g (<11 oz)
Laser Type/Wavelength/Max Power:
Red VIS Laser/640 nm ±10/<1.4 mW
NIR Aiming Laser/840 nm ±10/(0.7 mW LO/32.5 mW HI)
NIR Illuminating Laser/840 nm ±10/(<3.5 mW LO/36 mW HI)

Available Colors: -C -T

PRODUCT DESCRIPTION

GRENADIER SIGHTING SYSTEM

NSN NUMBER

1010-01-686-8798

Approved for Public Release by DOD

