

---

OPERATION AND MAINTENANCE  
INSTRUCTIONS FOR THE

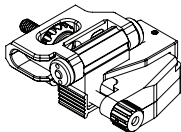
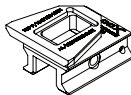
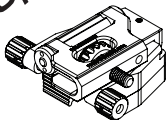
**WILCOX<sup>®</sup>**

**TRIJCON SKEETIR  
BRIDGE BINOCULAR  
SYSTEM -  
RIGHT - LEFT ARM KIT**

**PN: 61300G06**

***"The Most Trusted Helmet Mount in the World"***

**Mount Up!<sup>®</sup>**



**CAGE: 004F1**

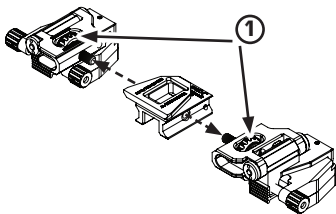
**EAR99: Export License Not Required.**

---

## **CONFIGURATION**

The Wilcox Binocular Bridge System is shipped assembled to accommodate a binocular configuration. If desired to be used as a monocular, determine your dominant eye and remove the opposite arm assembly by rotating the Thumb Wheel counterclockwise until the arm is removed, as depicted below. For monocular only configuration, Arm Assembly can be assembled on either side of the Mounting Shoe Base to accommodate dominant eye mounting. The system features a Modular Dovetail Base for mounting to the Wilcox G24 Dovetail Interface Mount.

### **ASSEMBLE - SET BRIDGE CONFIGURATION FOR USER NEED**



#### **REMOVE LEFT OR RIGHT ARM**

Turn Thumb Wheel Screw **(1)** CCW and remove arm.

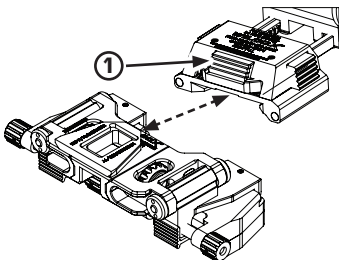
#### **REATTACH LEFT OR RIGHT ARM**

Insert the screw into the threaded hole of the Mounting Shoe Base and turn the Thumb Wheel Screw **(1)** CW, then test for proper attachment.

---

## ***CONFIGURATION (CONTINUED)***

### **ATTACH/DETACH - ATTACH AND DETACH THE BINOCULAR BRIDGE SYSTEM TO THE WILCOX G24 MOUNT**



#### **ATTACH**

Insert the Dovetail Interface of the modular Dovetail Base into the G24 Mount. Press until it clicks. Gently pull to make sure the NVG is properly mounted.

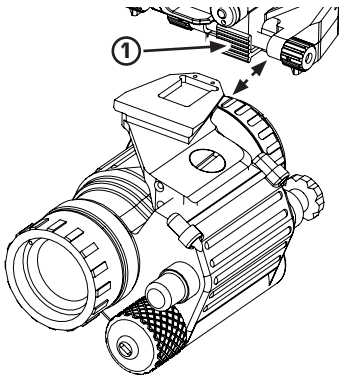
#### **DETACH**

Depress the Mount's NVG Release Button **(1)** and pull outward while holding the Binocular Bridge with one hand.

---

## ***CONFIGURATION (CONTINUED)***

### **MOUNT - MOUNT AN NVG TO THE BINOCULAR BRIDGE SYSTEM**



#### **ATTACH**

Slide the Dovetail Interface Shoe of the NVG onto the NVG Interface of the Mount until it clicks. While holding the NVG, pull gently to make sure it is firmly attached.

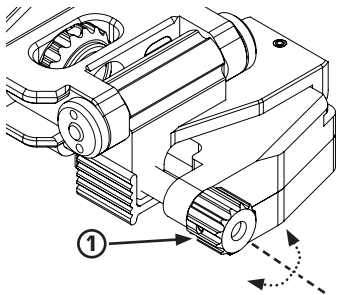
#### **DETACH**

Depress the Mount's NVG Release Button **(1)** on the Arm Assembly while holding the NVG, then remove.

---

## **OPERATION**

### **SET ID - SETTING THE NVG TO THE PROPER INTERPUPILLARY DISTANCE**

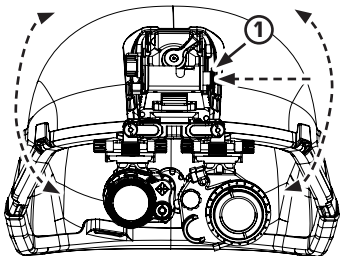


Turn the PD Adjustment Knob **(1)** until the proper position is obtained.

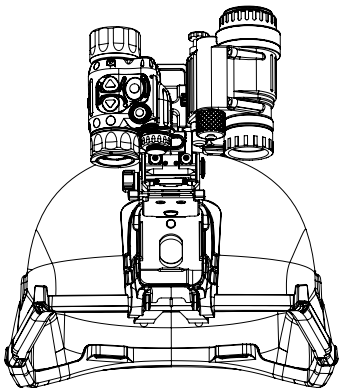
---

## **OPERATION (CONTINUED)**

### **FLIP AND STOW - STOWING THE GOGGLE ON THE HELMET WITH THE G24 MOUNT**



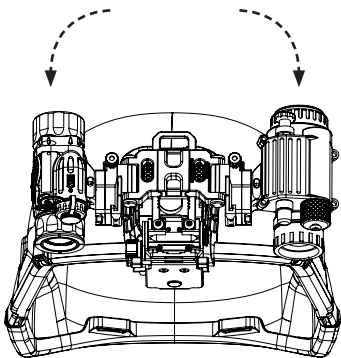
**Step 1.)** Depress the NVG Flip Button **(1)** and flip up to stow or down to deploy.



**G24 MOUNT PROVIDES  
130°  
OF ROTATIONAL TRAVEL**

---

## **OPERATION (CONTINUED)**



**BINOCULAR BRIDGE PROVIDES  
90°  
OF FLIP ANGLE FOR STOW**

**Step 2.)** Pivot the NVGs outward to stow flush against the helmet when not in use.

---

## **WARRANTY CLAIM AND SERVICE INFORMATION**

For warranty claim or service work, WX must be contacted in the United States at (603) 431-1331 or Customer Service through our online support page at [wilcoxind.com/contact](http://wilcoxind.com/contact) to obtain a **Return Merchandise Authorization (RMA)/Service Call Number (SC)** prior to returning your Wilcox product.

After an RMA/SC number is issued, WX will accept your package at the address indicated below, clearly marked with the RMA/SC number:

**Wilcox Industries Corp.**  
**RMA/SC # \_\_\_\_\_**  
**One Wilcox Way**  
**Newington, NH 03801 USA**

The Wilcox product must be securely packaged to prevent damage, accompanied by your name, address, daytime phone number to contact you, and a description of the problem or work you wish to be performed.



**Manufactured by:**

**WILCOX<sup>®</sup>**

**Wilcox Industries Corp.  
One Wilcox Way  
Newington, NH 03801 USA**

**Phone: +1 603-431-1331**

**Fax: +1 603-431-1221**



**WWW.WILCOXIND.COM**

**For troubleshooting service questions,  
contact Wilcox between 8am and 5pm EST.**

© 2013-2023 Wilcox Industries Corp. All rights reserved. Printed in USA. Patents US 10,162,168, AU 2014202000, and GB 2514481. Wilcox<sup>®</sup> and the Mount Up!<sup>®</sup> are federally registered trademarks of Wilcox Industries Corp. All other trademarks and federally registered trademarks in this manual are the property of their respective companies. Specifications and other data are subject to change without notice.